

The Proform Transition Matting System Sizes and Shapes - How To Measure 135° Angle

Entrance Matting TRANSITION

MID-ANGLE

(between a right angle and a straight line)

Create the look of custom installation without the cost.

Designed to enhance the flow of traffic, & improve the safety and appearance of your lobby by eliminating unsightly & dangerous gaps.

HOW TO MEASURE

Follow arrows.
Supply measurement of
A - B
B - C
C - D

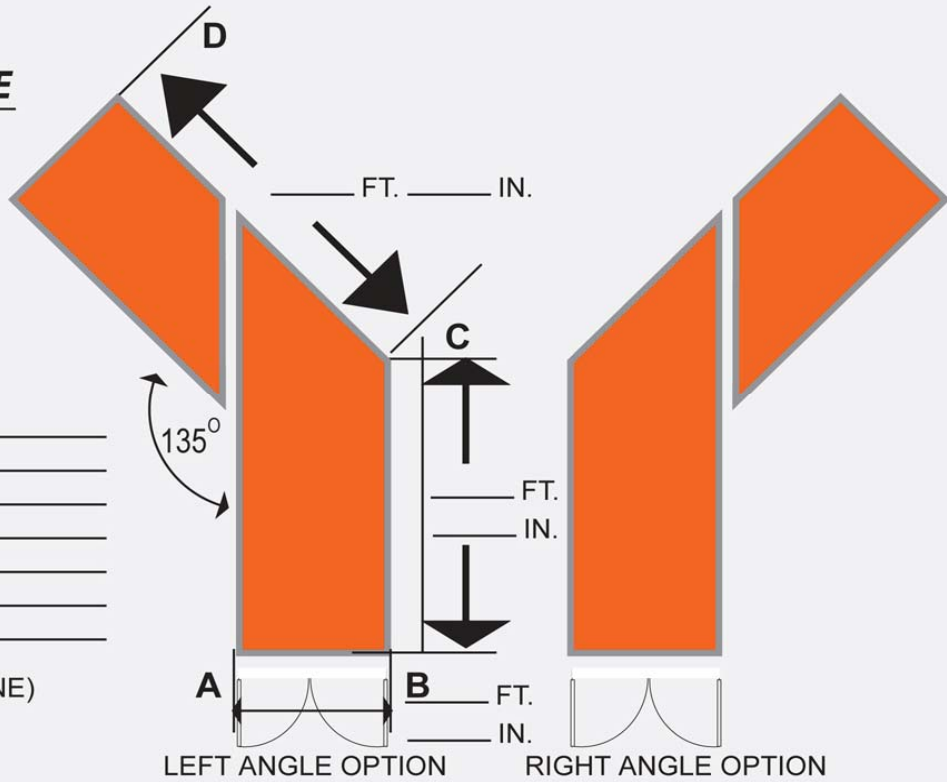
CONTACT: _____
JOB NAME: _____
ADDRESS: _____

PHONE: _____
EMAIL: _____
FAX: _____

DIRECTION: (CIRCLE ONE)
RIGHT
LEFT

COLOR: _____
STYLE: _____

EDGING OPTION: (CIRCLE ONE)
SAFETY EDGE
BEVEL CUT (HEAT)
EDGELESS



NOTES: _____

OPTIONAL: Borders, Logos, Graphic Patterns, Installation

The Proform Transition Matting System Sizes and Shapes - How To Measure an Octagon

Entrance Matting TRANSITIONS OCTAGON

*Create the look of custom installation without the cost.
Designed to enhance the flow of traffic, & improve the safety and appearance of your lobby
by eliminating unsightly & dangerous gaps.*

HOW TO MEASURE

We need only these two measurement

A - B

C - D

CONTACT: _____

JOB NAME: _____

ADDRESS: _____

PHONE: _____

EMAIL: _____

FAX: _____

DIRECTION: (CIRCLE ONE)

RIGHT

LEFT

COLOR: _____

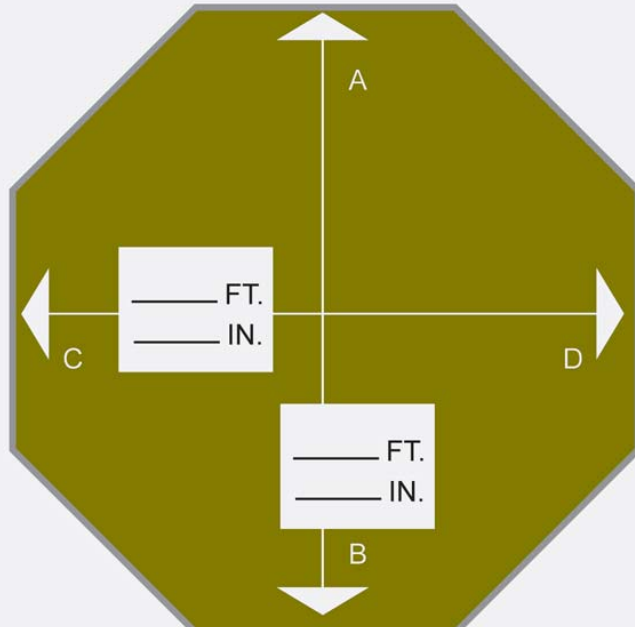
STYLE: _____

EDGING OPTION: (CIRCLE ONE)

SAFETY EDGE

BEVEL CUT (HEAT)

EDGELESS



NOTES: _____

OPTIONAL: Borders, Logos, Graphic Patterns, Installation

The Proform Transition Matting System Sizes and Shapes - How To Measure A Trapezoid

Entrance Matting TRANSITIONS

TRAPEZOID

*Create the look of custom installation without the cost.
Designed to enhance the flow of traffic, & improve the safety and appearance of your lobby
by eliminating unsightly & dangerous gaps.*

HOW TO MEASURE

PROVIDE THE FOLLOWING
MEASUREMENTS:

A - B
C - D
E - F

CONTACT: _____
JOB NAME: _____
ADDRESS: _____

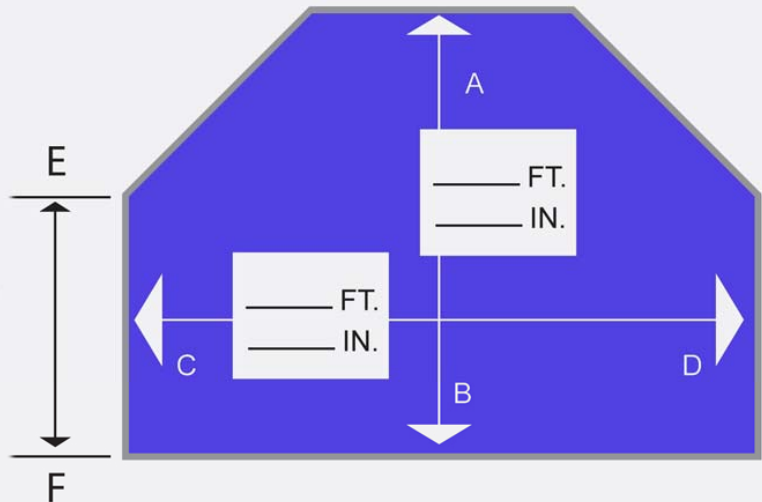
PHONE: _____
EMAIL: _____
FAX: _____

DIRECTION: (CIRCLE ONE)
RIGHT
LEFT

COLOR: _____
STYLE: _____

EDGING OPTION: (CIRCLE ONE)
SAFETY EDGE
BEVEL CUT (HEAT)
EDGELESS

OPTIONAL: Borders, Logos, Graphic Patterns, Installation



NOTES: _____

The Proform Transition Matting System Sizes and Shapes - How To Measure a Circle or Semi-Circle

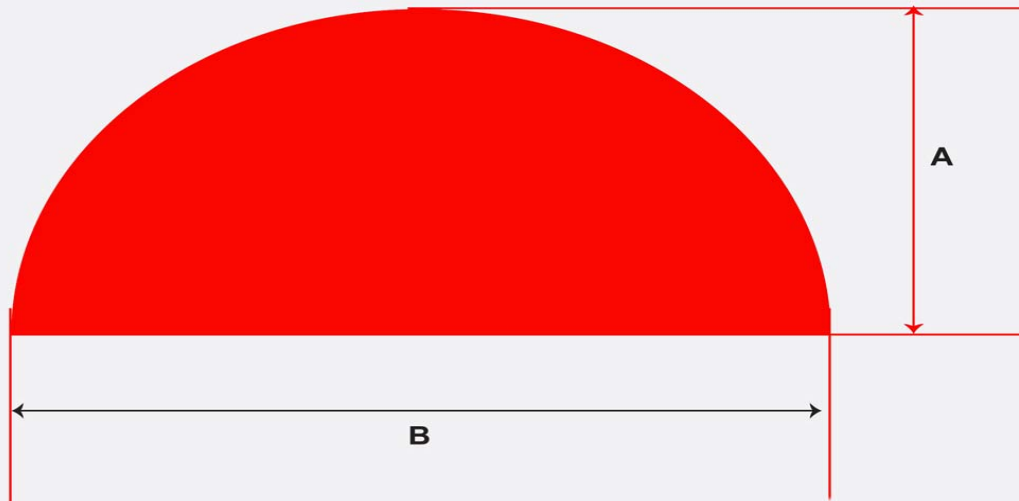
Entrance Matting **TRANSITION**

CIRCLE OR SEMI-CIRCLE

(between a right angle and a straight line)

Create the look of custom installation without the cost.

*Designed to enhance the flow of traffic, & improve the safety and appearance of your lobby
by eliminating unsightly & dangerous gaps.*



HOW TO MEASURE

We need only these two measurement
A - B

CONTACT: _____

JOB NAME: _____

ADDRESS: _____

PHONE: _____

EMAIL: _____

FAX: _____

DIRECTION: (CIRCLE ONE)

RIGHT

LEFT

COLOR: _____

STYLE: _____

EDGING OPTION: (CIRCLE ONE)

SAFETY EDGE

BEVEL CUT (HEAT)

EDGELESS

OPTIONAL: Borders, Logos, Graphic Patterns, Installation